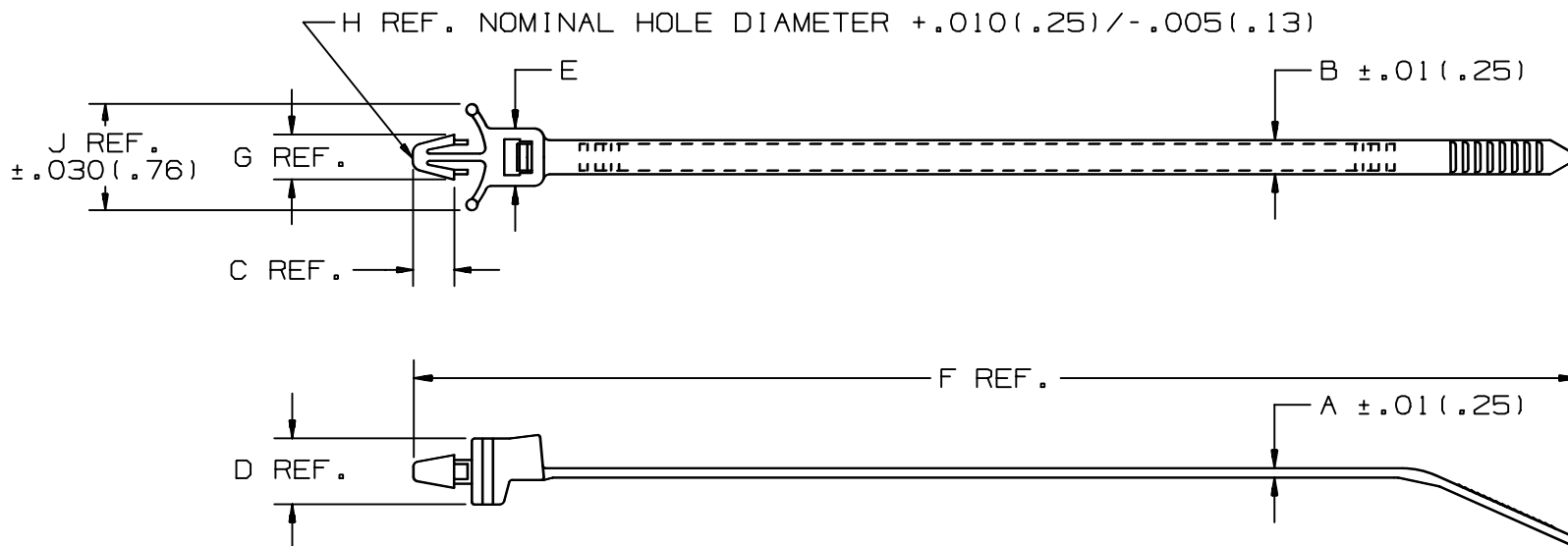


THIS COPY IS PROVIDED ON A RESTRICTED BASIS AND IS NOT TO BE USED IN ANY WAY DETRIMENTAL TO THE INTERESTS OF PANDUIT CORP.



| PANDUIT PART NO. | BUNDLE DIA.     |                 | A             | B             | C             | D             | E             | F            | G             | H             | J              | MAX. PANEL THICKNESS<br>in (mm) | MIN. LOOP TENSILE<br>lbs (N) | CROSS SECTION | WEIGHT<br>100 pcs<br>lbs (g) |
|------------------|-----------------|-----------------|---------------|---------------|---------------|---------------|---------------|--------------|---------------|---------------|----------------|---------------------------------|------------------------------|---------------|------------------------------|
|                  | MIN.<br>in (mm) | MAX.<br>in (mm) |               |               |               |               |               |              |               |               |                |                                 |                              |               |                              |
| PLWP1SB          | .06<br>(1.5)    | 1.0<br>(25.4)   | .052<br>(1.3) | .190<br>(4.8) | .230<br>(5.8) | .370<br>(9.4) | .320<br>(8.1) | 5.2<br>(132) | .260<br>(6.6) | .187<br>(4.7) | .593<br>(15.1) | .157<br>(4.0)                   | 50<br>(222)                  | STANDARD      | .29<br>(132)                 |
| PLWP2SB          | .06<br>(1.5)    | 1.75<br>(44.5)  | .052<br>(1.3) | .190<br>(4.8) | .230<br>(5.8) | .370<br>(9.4) | .320<br>(8.1) | 7.8<br>(198) | .260<br>(6.6) | .187<br>(4.7) | .593<br>(15.1) | .157<br>(4.0)                   | 50<br>(222)                  | STANDARD      | .37<br>(168)                 |

NOTE: SEE CURRENT PRICE SHEET FOR PART NUMBER SUFFIX DESIGNATION FOR PACKAGE SIZE, MATERIAL AND PART COLOR.

DIMENSIONS IN PARENTHESES ARE IN METRIC UNITS

PANDUIT CORP. TINLEY PARK, ILLINOIS

LOCKING WING PUSH MOUNT TIE  
PLWP1SB & 2SB

UNLESS OTHERWISE SPECIFIED,  
DIMENSIONAL TOLERANCES ARE:  
(.X) ± .1(2.5) (.XXX) ± .020(.51)  
(.XX) ± .02(1.5) ANGLES ± -----

UNLESS OTHERWISE SPECIFIED,  
ALL DIMENSIONS ARE GIVEN  
IN INCHES, THIRD ANGLE PROJECTION.

DRAWN BY  
KJL

MAT'L:

SCALE NONE

6 1/19/04 JABO CHANGED FORMAT FOR CONSISTENCY  
SEE ECN FOR DETAILS

23526 6

DATE  
11/23/88

SEE NOTE

DRAWING NO.  
SS-23526

DWG  
A  
SIZE

| REV | DATE    | BY   | CHK | DESCRIPTION   | ECN   | R | CUST | SUP | CHK'D | HVP |
|-----|---------|------|-----|---|-------|---|------|-----|-------|-----|
| 6   | 1/19/04 | JABO |     | CHANGED FORMAT FOR CONSISTENCY<br>SEE ECN FOR DETAILS | 23526 | 6 |      |     |       |     |